

*"Demanded by Those Who Know Quality"*

# "U" SERIES UNDER-TAILGATE SPREADER

U696-DD, U696-DD-AS, U696-GB, U696-GB-AS, U996-DD, U996-DD-AS, U996-GB, U996-GB-AS

## STANDARD FEATURES:

Hydraulic safety shut-off valve, automatic shut-off. The bottom door can be dropped down or the top lid folded back without the use of any quick couplers.

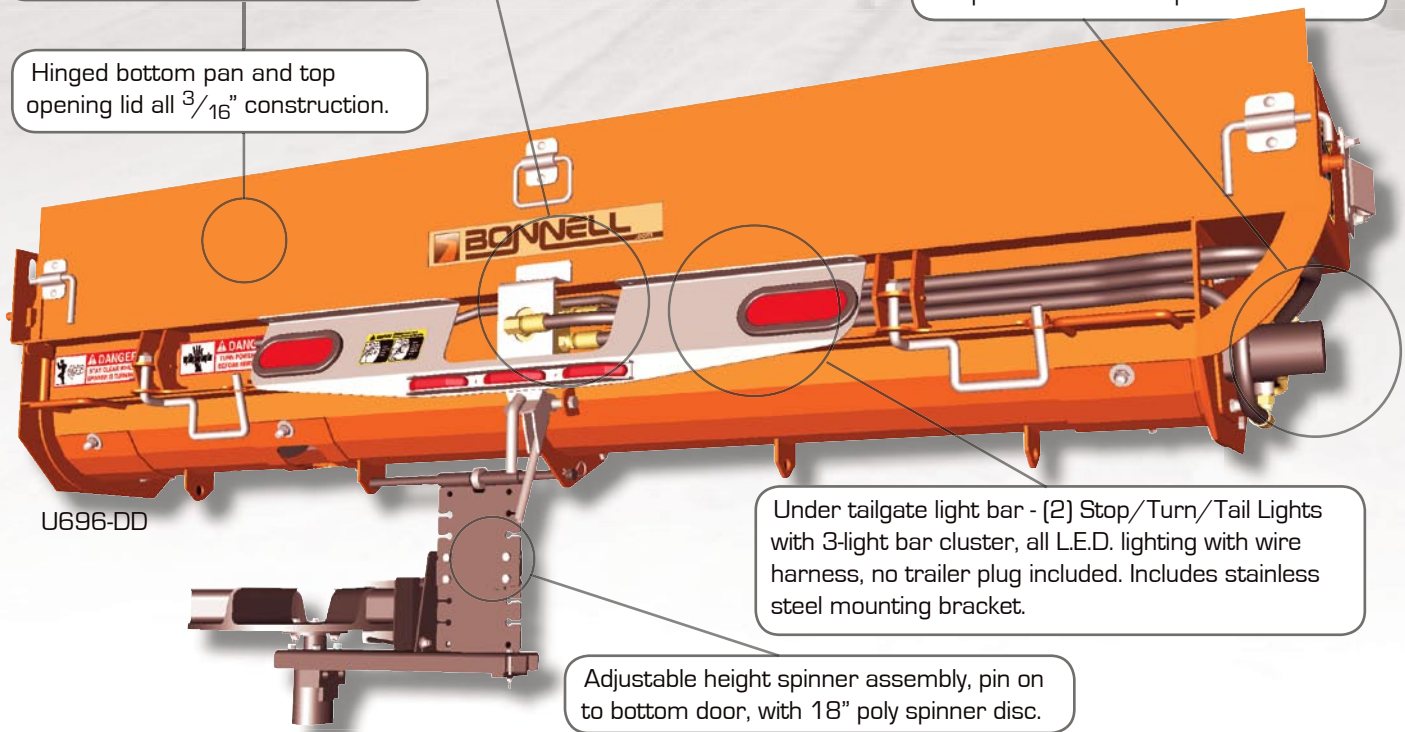
Quick Mount Kit - Quickly mount and dismount your spreader by removing 4 pins (no bolts). Brackets are bolted to the spreader body for replacement and adjustment purposes.

One piece rigid body with 1/4" end plates continuously welded to 3/16" auger trough.

Easy adjustable anti-flow plate without the use of tools.

Two hydraulic motor operation - one at the auger and one at the spinner for independent variable speed control.

Hinged bottom pan and top opening lid all 3/16" construction.



U696-DD

Under tailgate light bar - (2) Stop/Turn/Tail Lights with 3-light bar cluster, all L.E.D. lighting with wire harness, no trailer plug included. Includes stainless steel mounting bracket.

Adjustable height spinner assembly, pin on to bottom door, with 18" poly spinner disc.

The "U" Series Under-Tailgate Spreader from Bonnell Industries is the most rugged on the market today. Our spreader's unique design features a hydraulic safety shut-off valve and a stainless steel light bar with LED lighting.

Our exclusive 1-piece rigid body design allows you to interchange between 6" or 9" augers. Material discharge efficiency is maximized with standard features including the radius bottom clean-out door with (3) optional drop-port locations.

The hydraulic safety shut-off valve automatically shuts down the auger when the bottom pan is open. There are no quick disconnects to unhook. It is simple and easy, and ensures operator safety.

Available in either carbon or 304 stainless steel construction, and with direct drive or gearbox drive options, Bonnell Industries has the undertailgate spreader that fits your application.

The stainless steel light-bar is now standard with (2) LED stop/turn/tail lights and a 3-light cluster. This added safety feature provides better visibility to the rear of the vehicle, meeting Federal safety standards for rear vehicle lighting.

Safety, quality and durability - Bonnell Industries is the only name you need to know in snow and ice control.

# "U" Series Under-Tailgate Specifications

"U" Series Spreaders	U696-DD	U996-DD
Weight	665 Lbs	760 Lbs
Length	96"	96"
Height (without spinner)	19"	19"
Height (with spinner)	35"	35"
Width (without spinner)	20.5"	20.5"
Width (with spinner)	20.5"	20.5"
Spinner Diameter/Material	18" polyurethane	18" polyurethane
Trough material	3/16" formed	3/16" formed
End plates	1/4" formed	1/4" formed
Auger configuration	1 - 6" dia. x 4" pitch	1 - 9" dia. x 4" pitch
Auger Drive	Direct Drive	Direct Drive



U696-DD



U996-DD

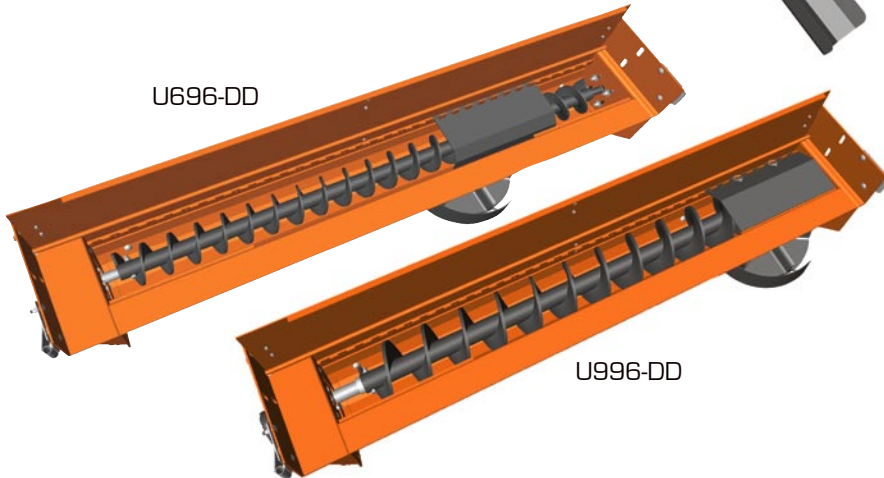


U696-DD-AS



U996-DD-AS

U696-DD



U996-DD

Sold By:

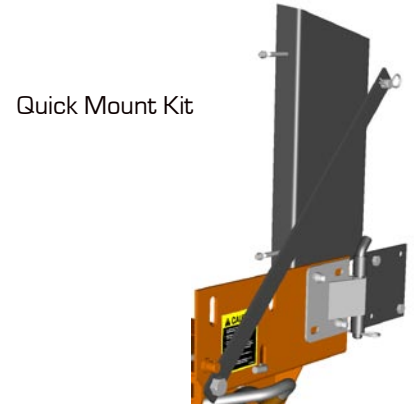


1385 Franklin Grove Rd. • Dixon, IL 61021 • [www.bonnell.com](http://www.bonnell.com)  
 (815) 284-3819 • (800) 851-9664 • Fax (815) 284-8815

Bonnell Industries reserves the right under its product improvement policy to change construction or design details and furnish equipment when so altered without reference to illustrations or specifications used herein.  
 © 2006 Bonnell Industries, Inc. | 0306

# Options

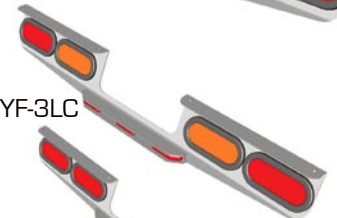
- 304 Stainless Steel - AS
- Gearbox Drive - GB
- Special Paint
- Berm Chute (Standard on U996)
- Center, left, or right discharge
- Sensored motor
- Prewet Boom



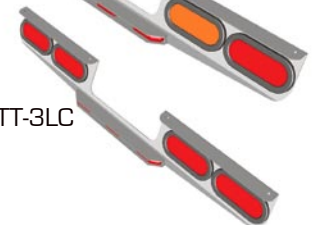
Quick Mount Kit



UTLB-STT-BUP-3LC



UTLB-STT-YF-3LC



UTLB-STT-STT-3LC

